

Pouch Dryer

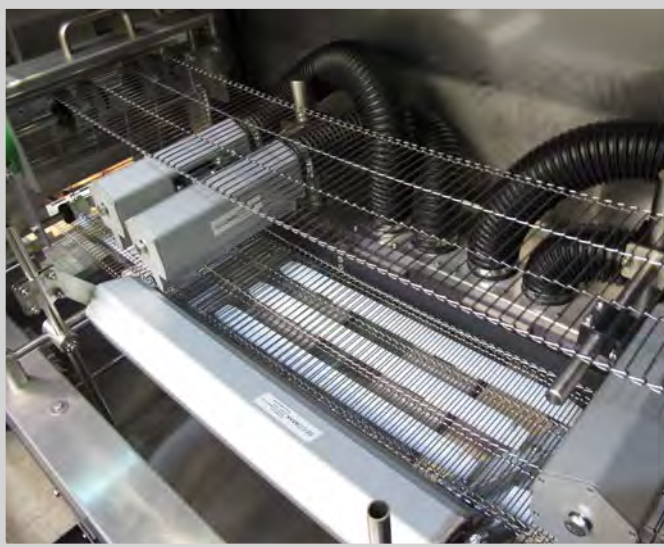
High Performance Drying Tunnel

SECOMAK
Experts In Drying Solutions

E: sales@secomak.com

Designed and manufactured in the United Kingdom by Secomak, a leading manufacturer of container drying solutions.

The Pouch Dryer is high specification air drying tunnel specially designed to remove surface moisture from flexible packaging and ready meal trays.



Including an open mesh conveyor, hold-down belt and dedicated gusset drying, the Pouch Dryer is suitable for all types of flexible packaging, including:

- Layout flat pouches
- Stand-up pouches
- Doypack
- Liquid pouches
- Flat bottom bags
- Ready meal trays

For further information please contact Secomak on +44 (0) 2087 321 300 or sales@secomak.com

www.secomak.com

Secomak Ltd.

330 Centennial Park, Elstree, Hertfordshire, WD6 3TJ, UK.

Pouch Dryer

High Performance Drying Tunnel

SECOMAK

Experts In Drying Solutions

E: sales@secomak.com

Technical Data

Installed Power: 8 kW

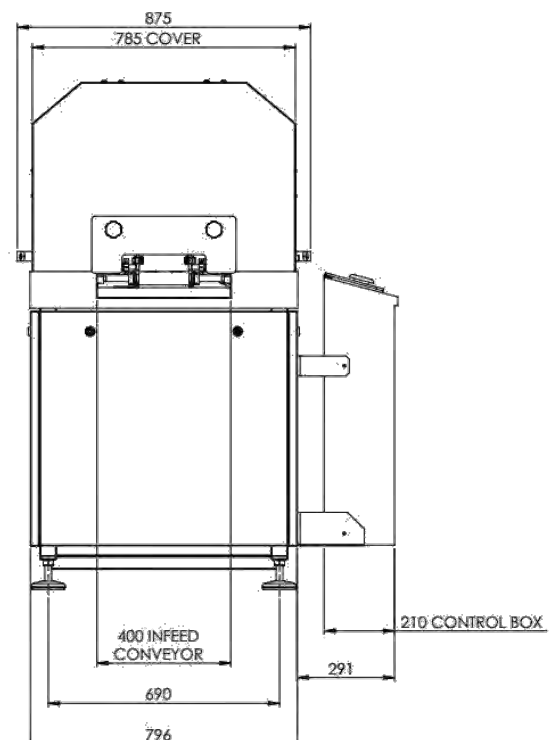
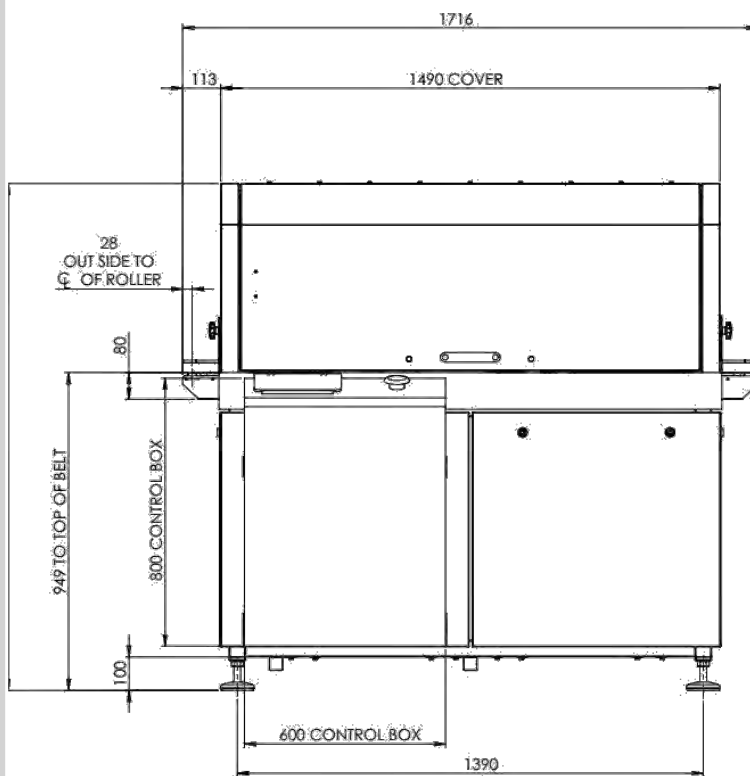
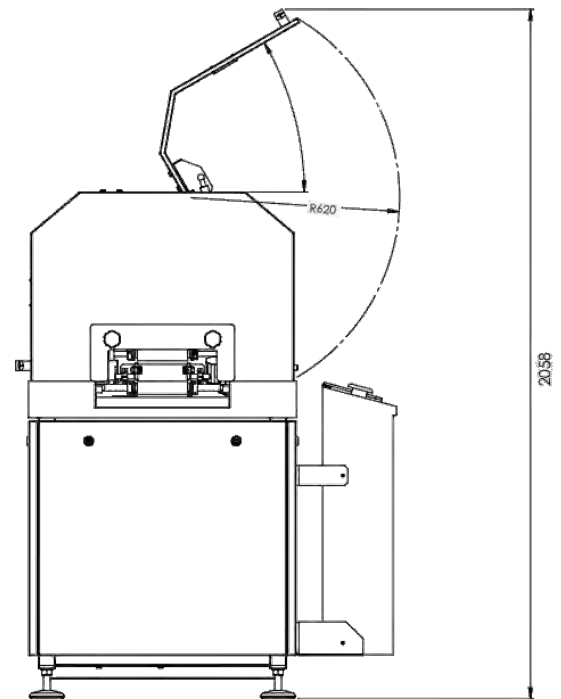
Energy Consumption: 5 kW

380V-480V 50/60Hz 3 Phase

Noise Level <85 dBA

Current Protection: 32 A (back up)

Nominal Current: 18 A



For further information please contact Secomak on +44 (0) 2087 321 300 or sales@secomak.com

www.secomak.com

Secomak Ltd.

330 Centennial Park, Elstree, Hertfordshire, WD6 3TJ, UK.