

# Package Gas Booster

## Model 576/1

**SECOMAK**  
Gas Boosters... the safe choice

**Picture depicts  
Model 576/1**

Motor  
0.55kW

Weight  
29Kg

Phase  
1&3

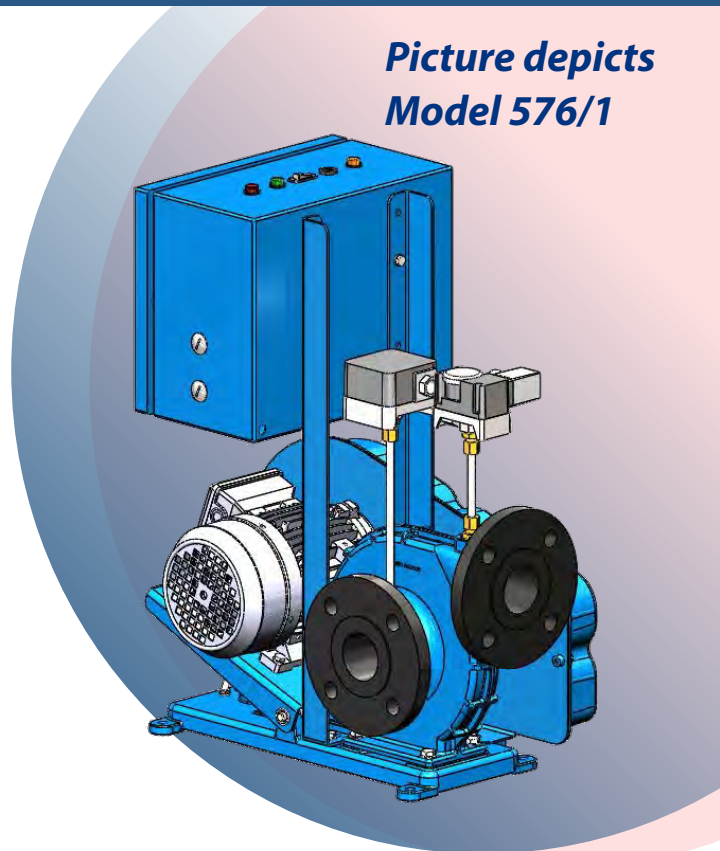
Noise Level  
73&76dB(A)

Voltage  
240&400V

Frequency  
50Hz

Start Current  
8&3A

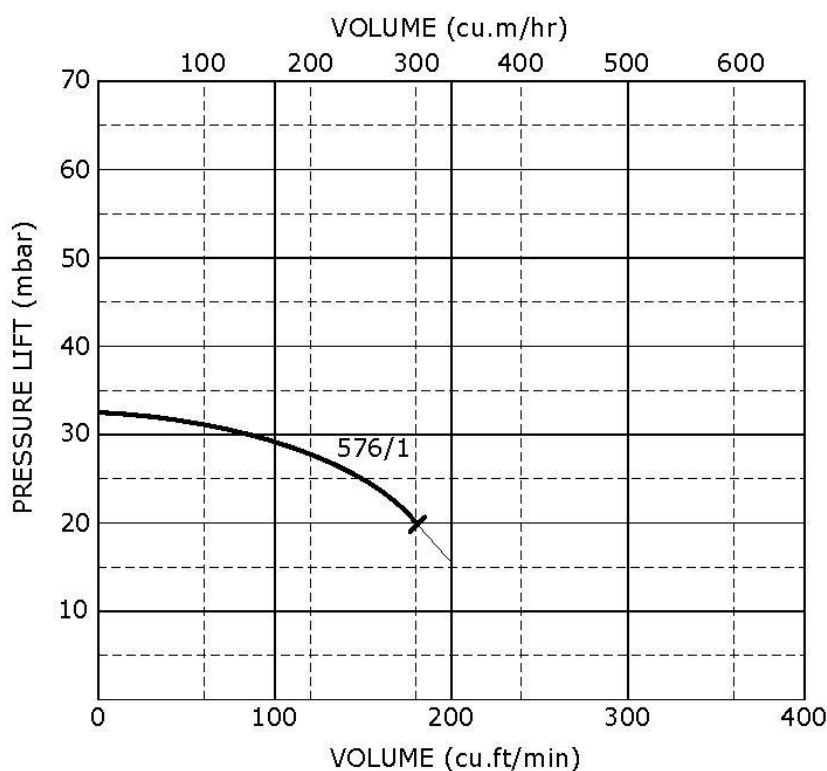
Run Current  
1.3&3A



Available stand-alone or part of package with optional soft start or inverter driven (APS) system.

## Performance Curve

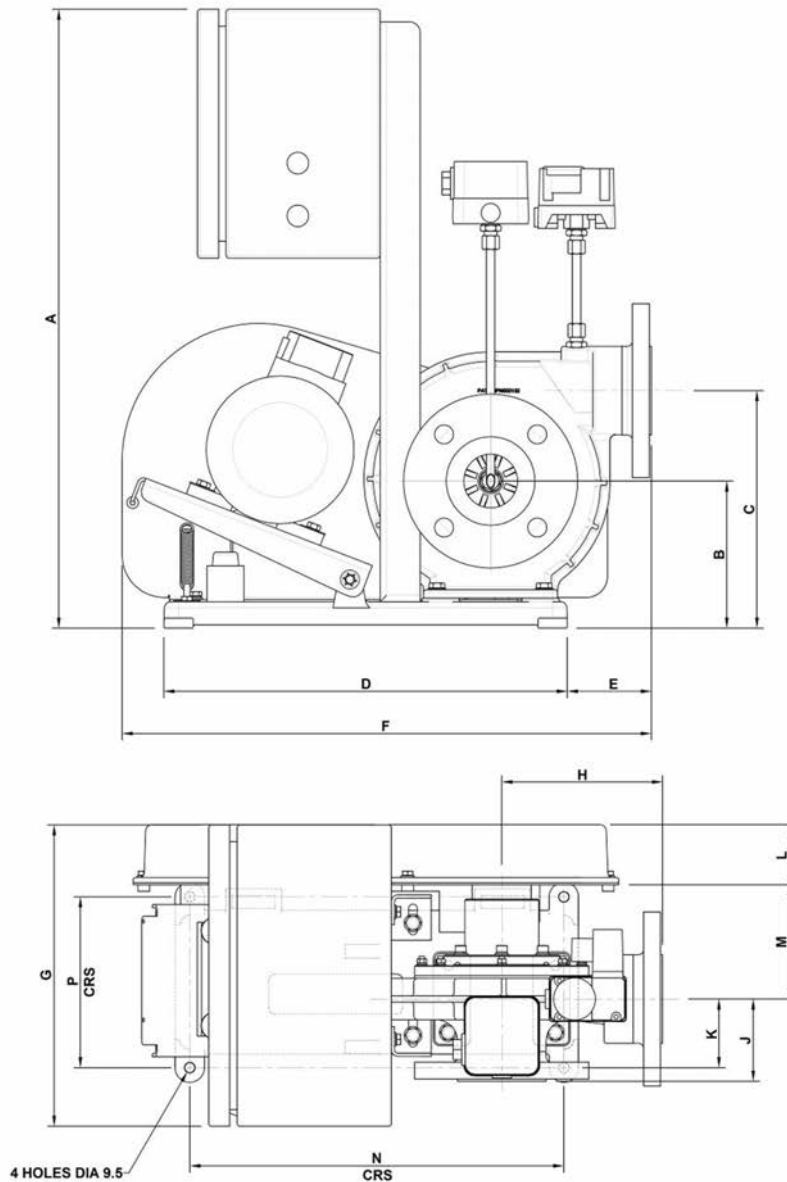
Actual product image may vary for different models  
Image represents Package Gas Booster including controls



# Gas Booster

## Model 576/1

### DIMENSIONAL DATA



MODEL	A	B	C	D	E	F	G	H
SGP-576	587	140	225	382	80	502	286	152

MODEL	J	K	L	M	N	P	INLET FLANGE	OUTLET FLANGE
SGP-576	78	65	78	108	355	162	DN50	DN 50

**All dimensions in mm. Dimensions subject to change dependent on gas booster or full package booster**