

Mistral V

High Performance Drying Machine

SECOMAK
Experts In Drying Solutions

E: sales@secomak.com



Designed by Secomak, a leading manufacturer of container drying solutions.

The Mistral V is a high specification air drying system. Specifically designed to remove moisture from hard to reach places, preventing cap rust, discoloration, bacteria growth and smudged date codes.

Unique and individually adjustable micro nozzles remove moisture from:

- Underneath bottle caps
- Container seals
- Bottle necks
- Crown caps
- Screw caps
- Jar screw threads

Mistral V Selection Tool

Bottle Application	Area of Drying	Max Conveyor Speed M/Min	Number of Nozzles	Length (mm)
Glass Bottles - Rust Prevention	Under Crown	<60m/min	24	520
		>60 m/min	48	810
PET Bottles - Prior to Vision Inspection	Cap	<48 m/min	24	520
		<96 m/min	48	810
		<120 m/min	72	1330

For further information please contact Secomak on +44 (0) 2087 321 300 or sales@secomak.com

www.secomak.com

Secomak Ltd.

330 Centennial Park, Elstree, Hertfordshire, WD6 3TJ, UK.

Mistral V

High Performance Drying Machine

SECOMAK

Experts In Drying Solutions

E: sales@secomak.com

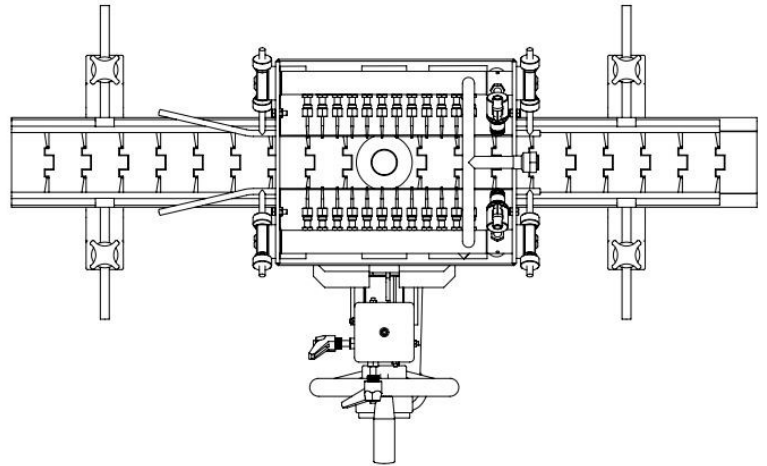
Technical Data

Air Supply: 1/2" BSP Connector

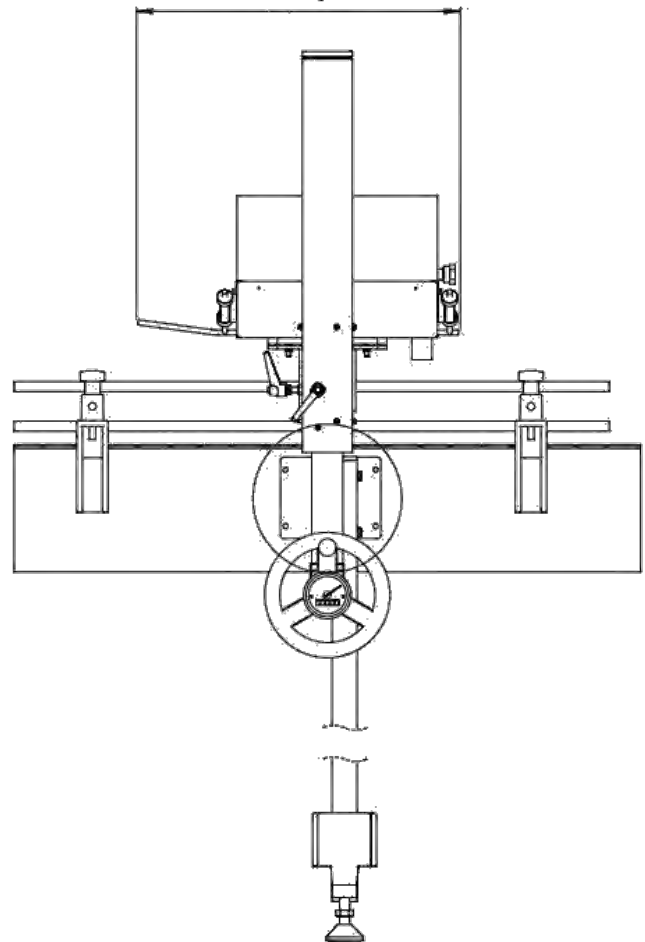
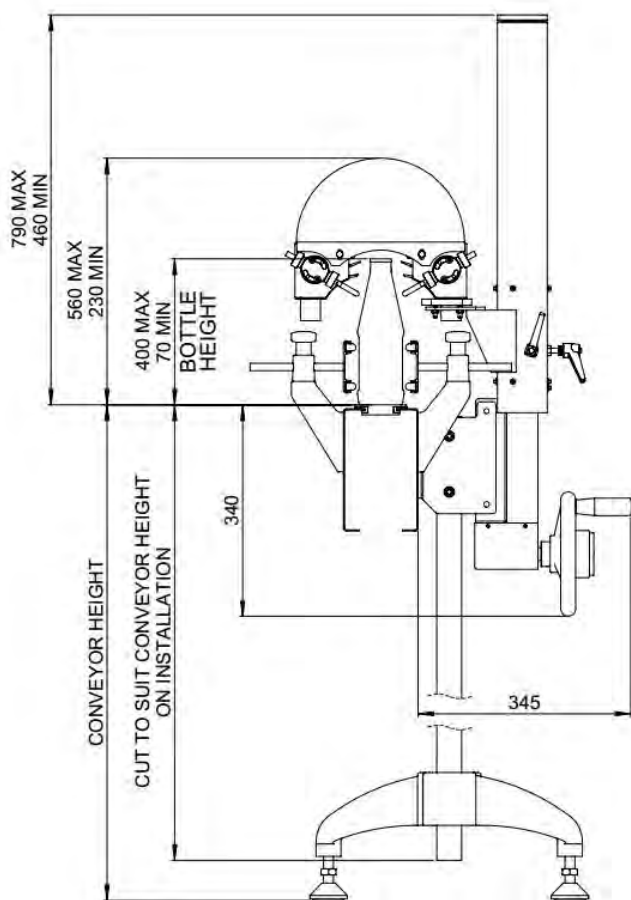
24V DC Power Supply

Air Consumption 30 SCFM

4 Bar Working Pressure



515 O/A



For further information please contact Secomak on +44 (0) 2087 321 300 or sales@secomak.com

www.secomak.com

Secomak Ltd.

330 Centennial Park, Elstree, Hertfordshire, WD6 3TJ, UK.