

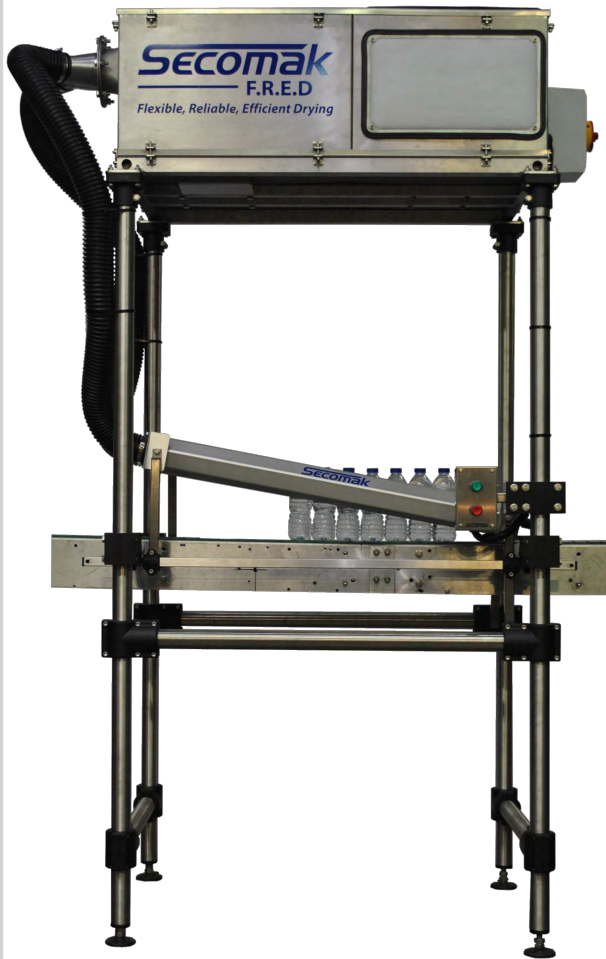
F.R.E.D.

Flexible, Reliable, Efficient Drying

SECOMAK

Experts In Drying Solutions

E: sales@secomak.com



F.R.E.D. is a cost-effective, compact and flexible drying solution for multiple drying applications, serving the Food and Beverage Industry.

- Easy to install over existing production lines
- Cutting edge Air Knife technology
- Very cost effective – low capital investment
- Energy efficient – Inverter controlled
- Small footprint
- Very low maintenance
- 20,000 hour warranty
- Range of applications
- UK manufactured

F.R.E.D. APPLICATIONS

Can	Glass Bottle	PET Bottle
Date coding	Date coding	Date coding
Drying can tops	Labelling	Labelling
Drying for final pack	Cap inspection	Cap inspection
Drying for can labels	Shrink sleeve application	Shrink sleeve application
Shrink sleeve application	Returnable inspection	Camera orientation

For further information please contact Secomak on +44 (0) 2087 321 300 or sales@secomak.com

www.secomak.com

Secomak Ltd.

330 Centennial Park, Elstree, Hertfordshire, WD6 3TJ, UK.

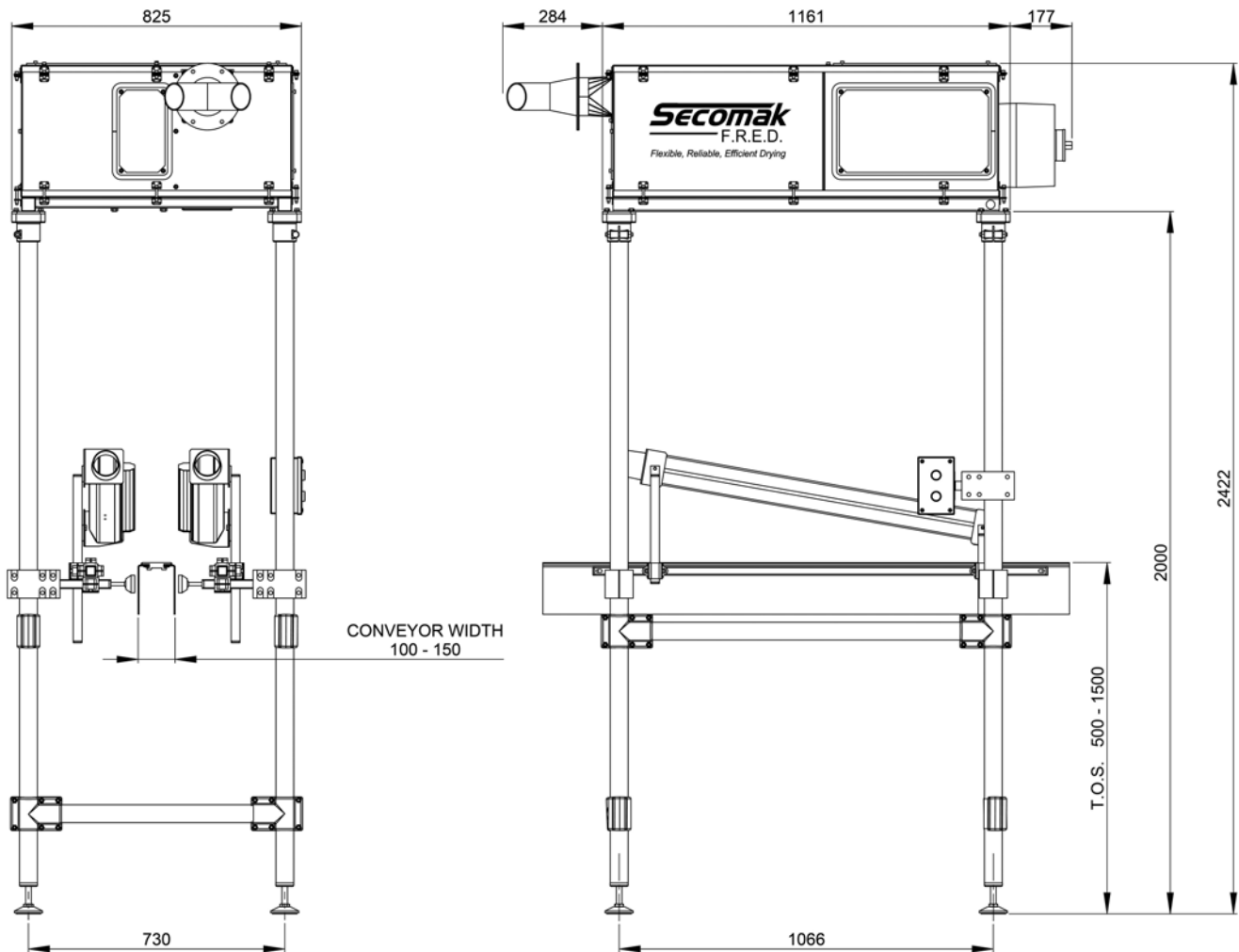
F.R.E.D.

Flexible, Reliable, Efficient Drying

SECOMAK

Experts In Drying Solutions

E: sales@secomak.com



TECHNICAL DATA

POWER : 11Kw INSTALLED POWER

380-480V 50HZ/60HZ 3 PHASE

ENERGY CONSUMPTION: 3Kw

CURRENT PROTECTION: 63A (BACK UP)

NOMINAL CURRENT : 17.5A

NOMINAL POWER CONSUMPTION : 12.09 kVA

POWER FACTOR (COS ϕ) : 0.91

For further information please contact Secomak on +44 (0) 2087 321 300 or sales@secomak.com

www.secomak.com

Secomak Ltd.

330 Centennial Park, Elstree, Hertfordshire, WD6 3TJ, UK.