

**FEATURING INDIVIDUALLY ADJUSTABLE MICRO-NOZZLES**

- Dry Aluminium, Glass Or PET Containers
- Unique & Adjustable Micro-Nozzle Design
- Remove Moisture From Awkward Places:
  - Underneath Bottle Caps
  - Crown Caps
  - Screw Caps
  - Container Seals
  - Bottle Necks
  - Jar Screw Threads
- Quick Changes Between Container Size (SMED)
- Compact For Simple Installation
- Very Low Maintenance
- Prevent Rust, Discolouration, Bacterial Growth and Smudged Date Codes



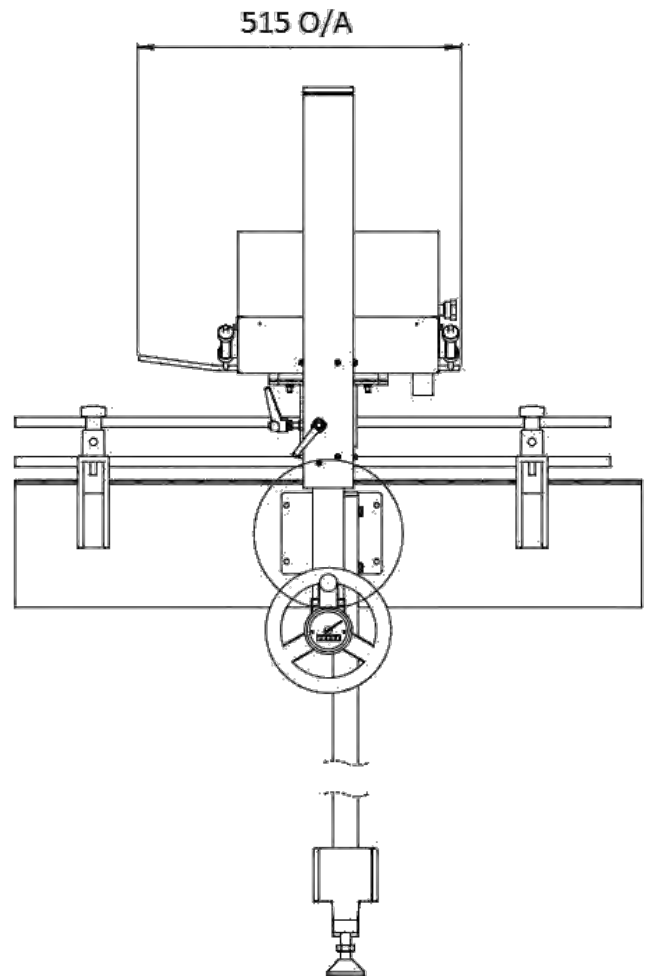
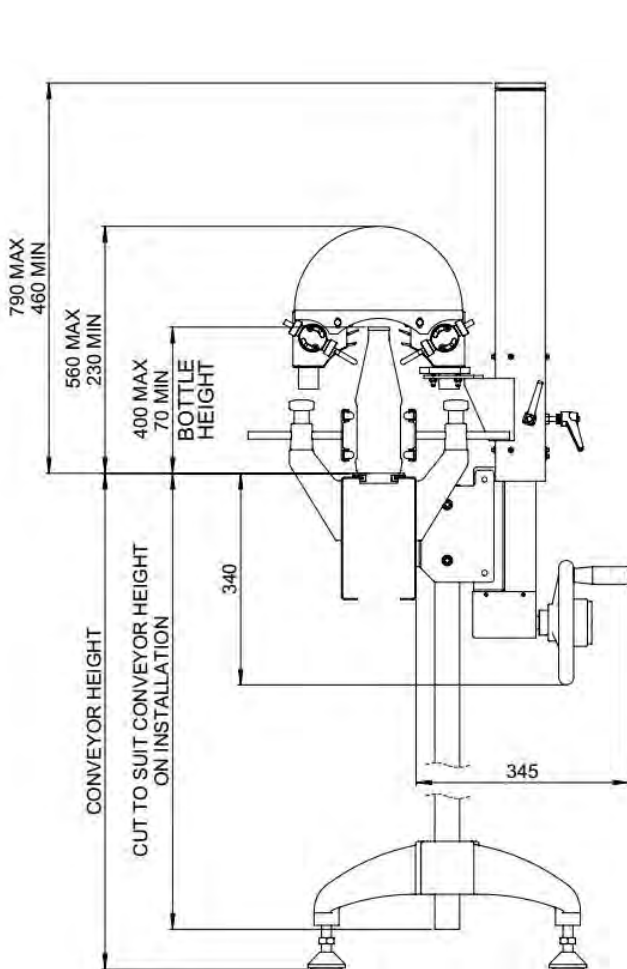
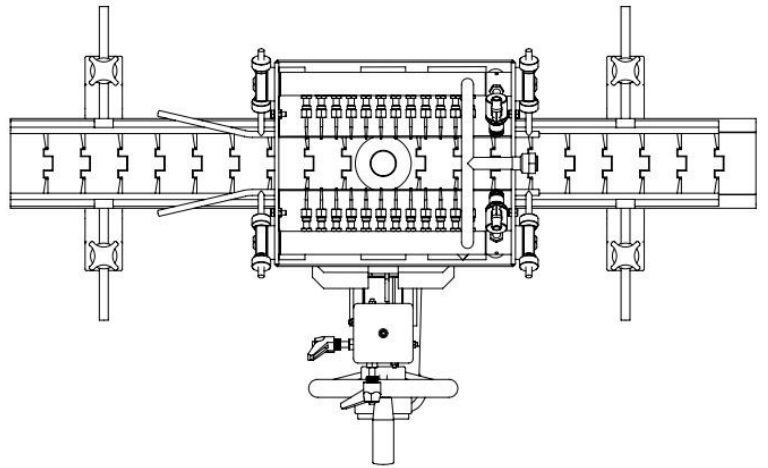
*Product supplied may differ from image based on container drying requirements. Image represents Mistral V Drying Module.*

**MISTRAL V CONFIGURATION TOOL**

Bottle Application	Area of Drying	Max Conveyor Speed M/Min	Number of Nozzles	Length (mm)
Glass Bottles - Rust Prevention	Under Crown	<60m/min	24	520
		>60 m/min	48	810
PET Bottles - Prior to Visual Inspection	Cap	<48 m/min	24	520
		<96 m/min	48	810
		<120 m/min	72	1330

DIMENSIONAL DRAWING: Mistral V

Technical Data	
Air Supply	1/2" BSP Connector
Power Supply	24 V DC
Air Consumption	30 SCFM
Working Pressure	4 Bar



All dimensions in mm