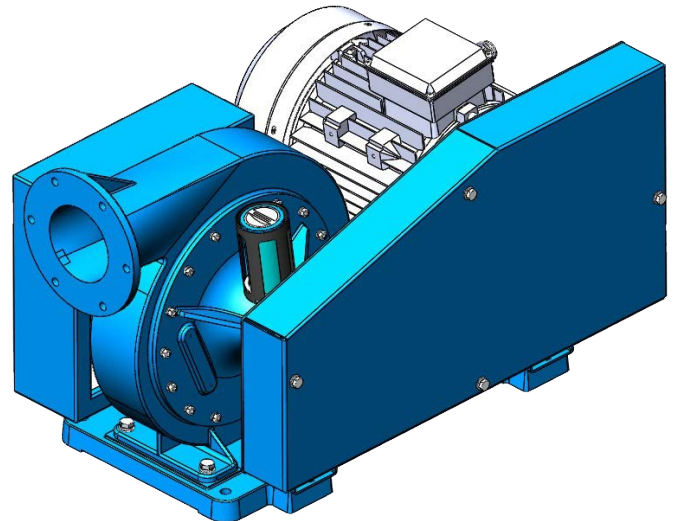


## HIGH-SPEED AIRFLOW FOR COOLING & HEATING

- Reliable Belt-Driven Performance
- Increase Pressure By Up To 98 mbar
- Extremely Energy Efficient
- High-Strength Industrial Design
- Compact Footprint For Easy Installation
- Very Low Maintenance

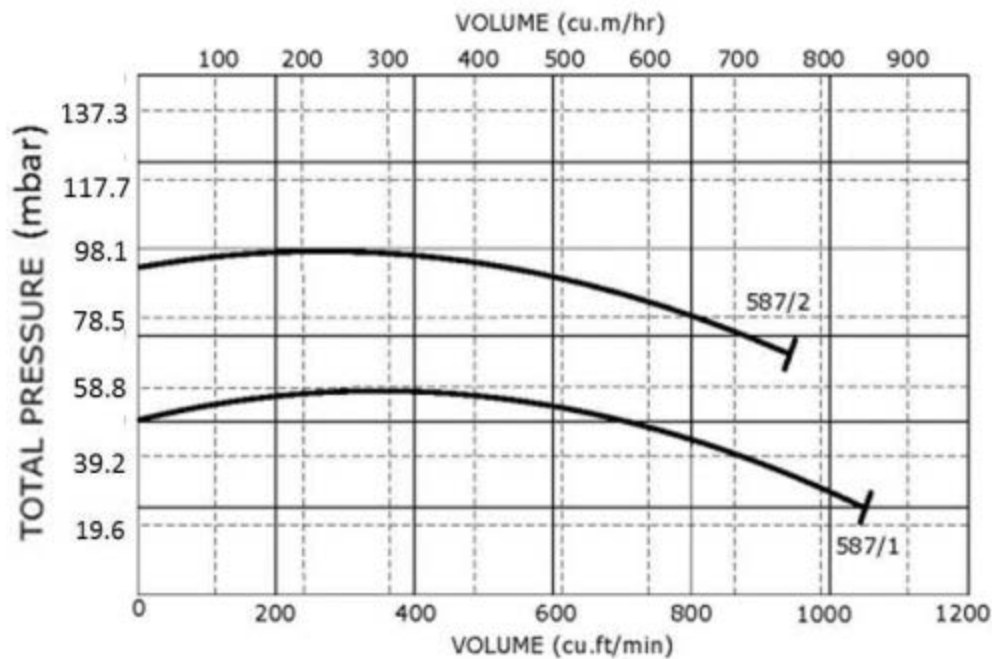


Product supplied may differ from image based on pressure requirements. Image represents Model 587 High Velocity Blower.

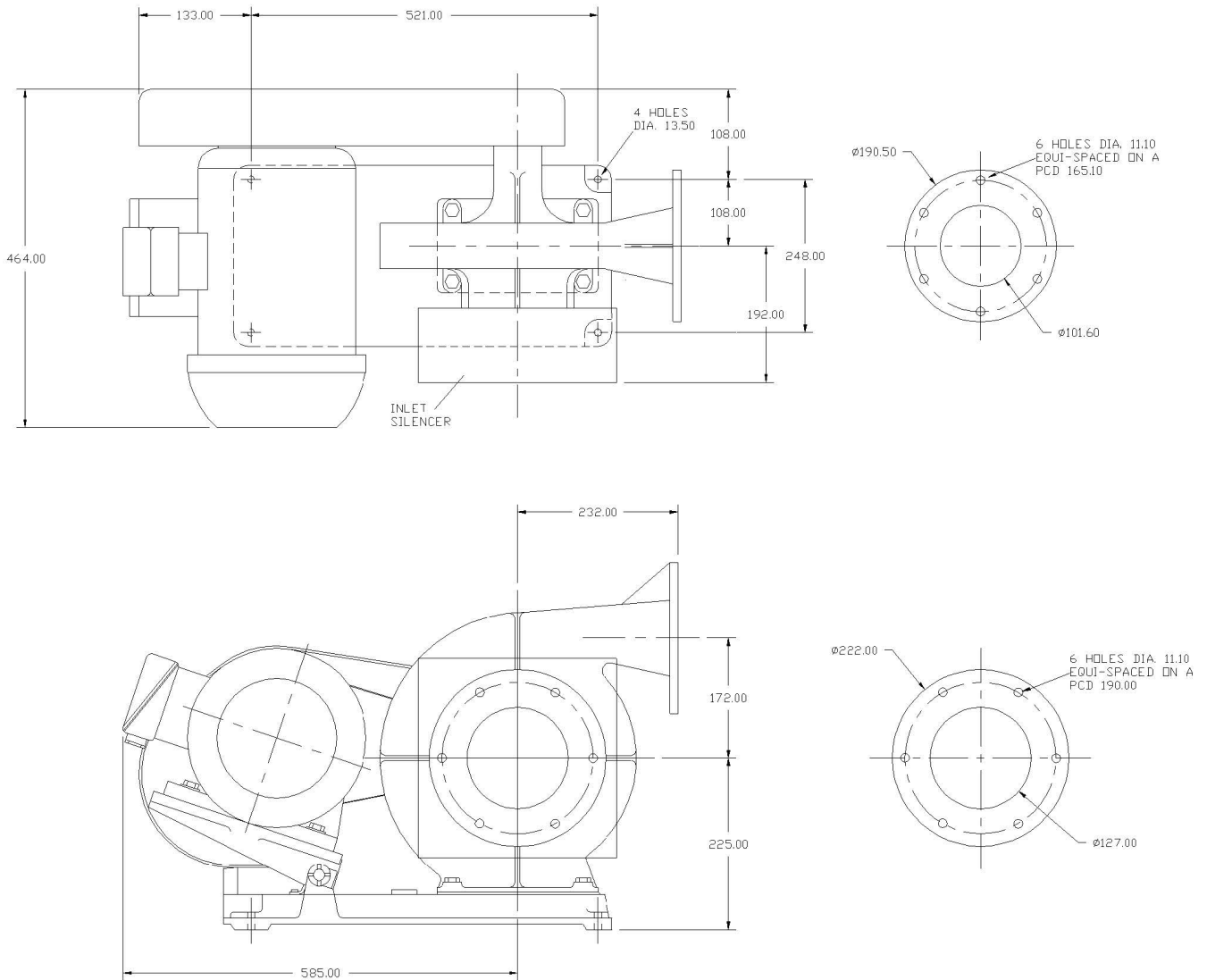
	587/1	587/2
Motor	5.5 kW	5.5 kW
Weight	84 kg	84 kg
Phase	3	3
Noise Level*	88 dB(A)	90 dB(A)
Voltage	380 V - 480 V	380 V - 480 V
Frequency	50 / 60 Hz	50 / 60 Hz
Run Current	10.6 A	10.6 A

\*Noise levels have been measured at a distance of 1m from the blower.

### PERFORMANCE CURVE



DIMENSIONAL DRAWING: Model 587



All dimensions in mm