

HIGH PRESSURE AIRFLOW FOR COOLING & HEATING

- Belt & Bearing-Free Design
- Increase Pressure By Up To 10 mbar
- High-Strength Industrial Design
- Energy Efficient Motor Technology
- Very Compact For Easy Installation
- No Maintenance

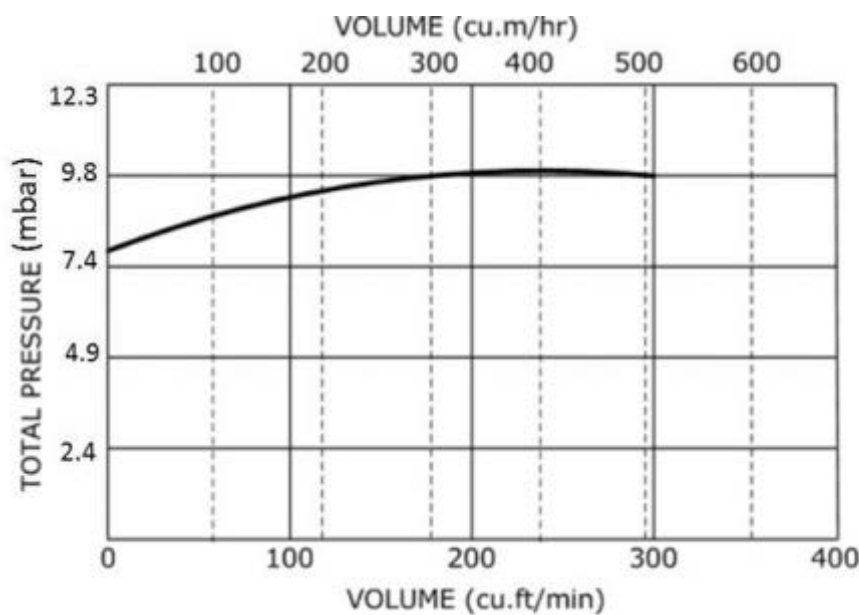


Product supplied may differ from image based on pressure requirements. Image represents Model 513 Direct Drive Fan.

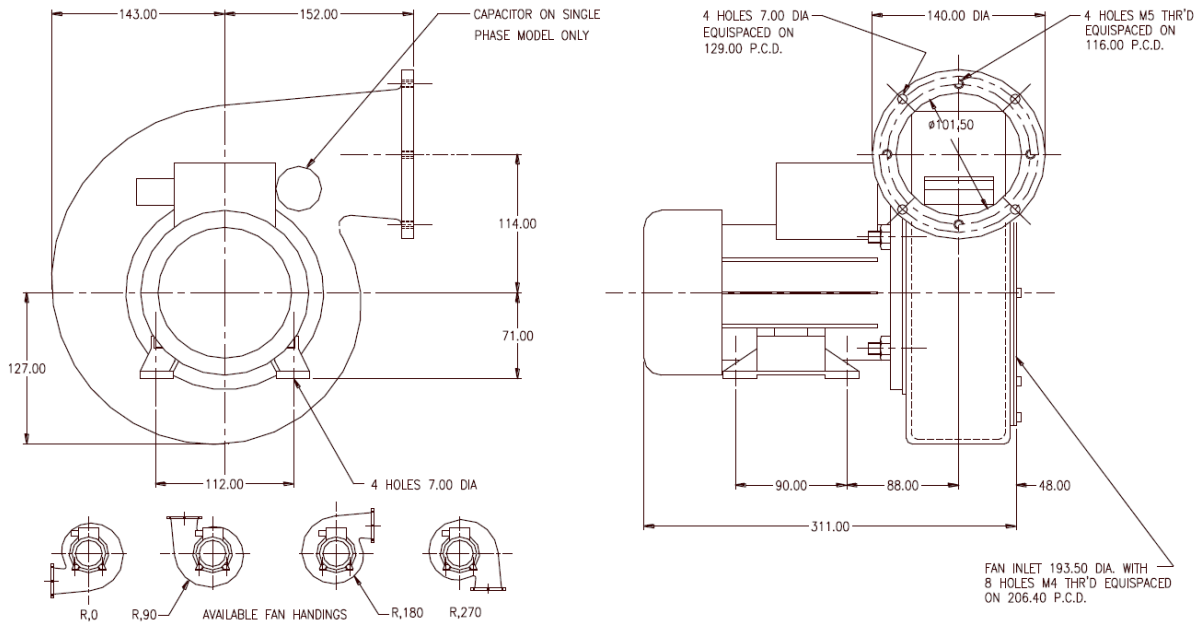
	513	513	513SO	513SO
Motor	0.37 kW	0.37 kW	0.37 kW	0.37 kW
Weight	12 kg	12 kg	13 kg	13 kg
Phase	1	3	1	3
Noise Level	73 dB(A)	73 dB(A)	73 dB(A)	73 dB(A)
Voltage	240 V	400 V	240 V	400 V
Frequency	50 / 60 Hz	50 / 60 Hz	50 / 60 Hz	50 / 60 Hz
Run Current	2.5 A	1.0 A	2.5 A	1.0 A
Max Inlet Air*	40 °C	40 °C	300 °C	300 °C

*300 °C Inlet Temperature Represents High Temperature variant.

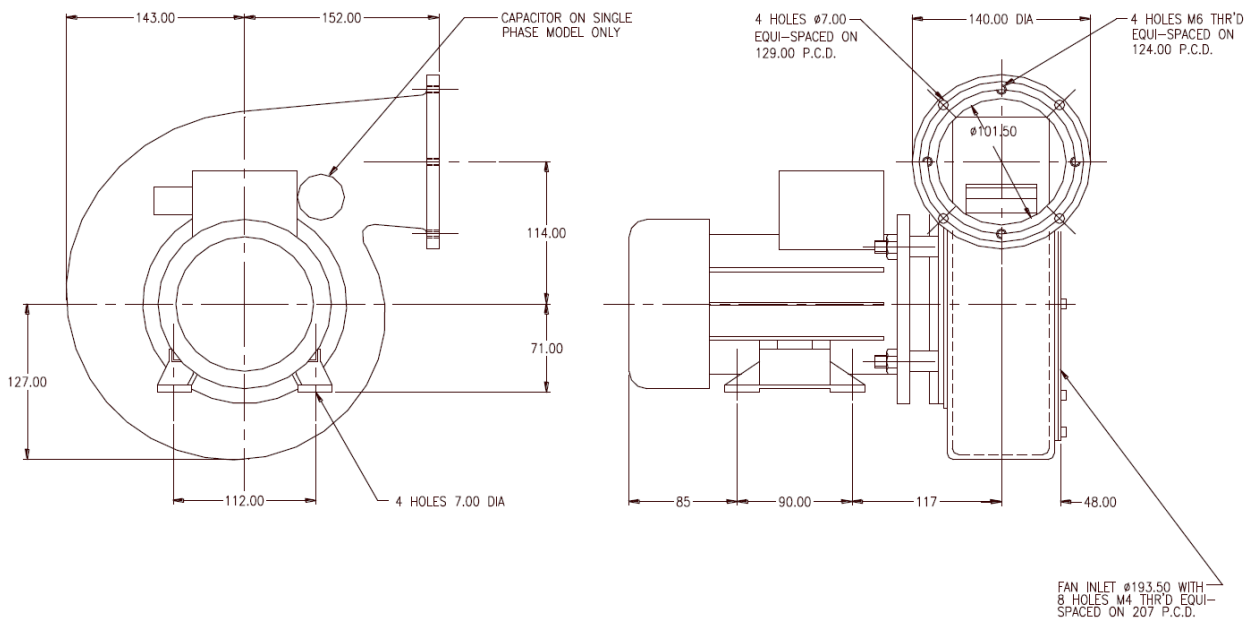
PERFORMANCE CURVE



DIMENSIONAL DRAWING: Model 513



DIMENSIONAL DRAWING: Model 513SO



All dimensions in mm