

# High Velocity Centrifugal Fan

## Model 587

**SECOMAK**  
air at work

Motor  
5.5kW

Weight  
84Kg

Phase  
3

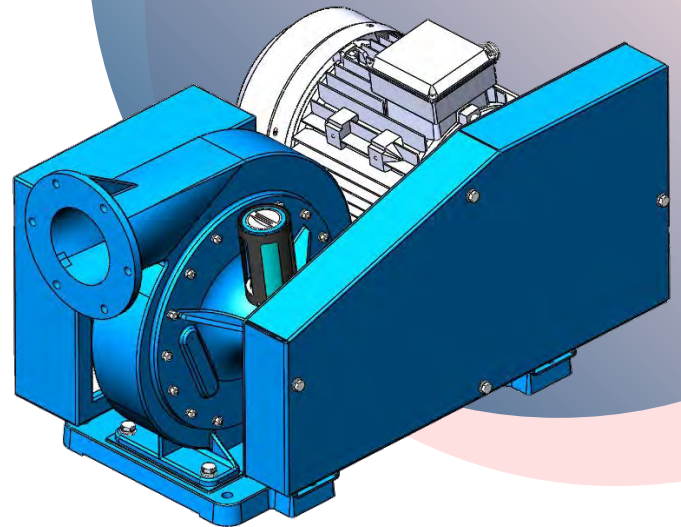
Noise Level  
90dB(A)

Max Current  
10.4A

Current readings are based upon voltages of 400V

*Noise levels have been measured at a distance of 1m from the blower, which was fitted with an inlet silencer and a ducted outlet. In some modes of use, the fans may generate higher noise levels. It will be necessary to carry out a noise survey after installation.*

Picture depicts Model 587



## Performance Curve

