

# High Velocity Centrifugal Fan

## Model 575

**SECOMAK**  
air at work

Motor  
0.55kW

Weight  
16Kg

Phase (PH)  
3 or 1

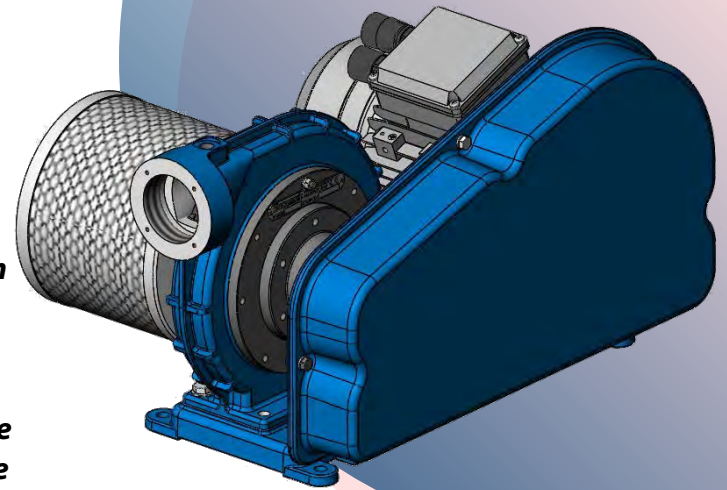
Noise Level  
76dB(A)

Max Current  
1.42A for 3PH  
3.7A for 1PH

*Current readings are based upon voltages of 400V 3 Phase and 230V 1 Phase*

*Noise levels have been measured at a distance of 1m from the blower, which was fitted with an inlet silencer and a ducted outlet. In some modes of use, the fans may generate higher noise levels. It will be necessary to carry out a noise survey after installation.*

Picture depicts Model 575



## Performance Curve

