

HIGH PRESSURE AIRFLOW FOR COOLING & HEATING

- Belt & Bearing-Free Design
- Increase Pressure By Up To 24 mbar
- High-Strength Industrial Design
- Energy Efficient Motor Technology
- Very Compact For Easy Installation
- No Maintenance

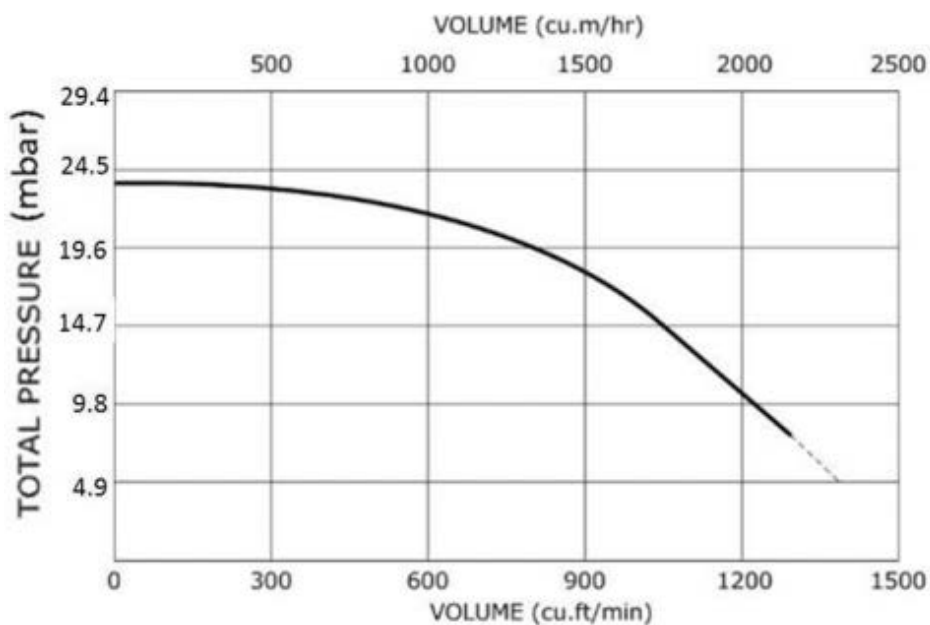


Product supplied may differ from image based on pressure requirements. Image represents Model 643 Direct Drive Fan.

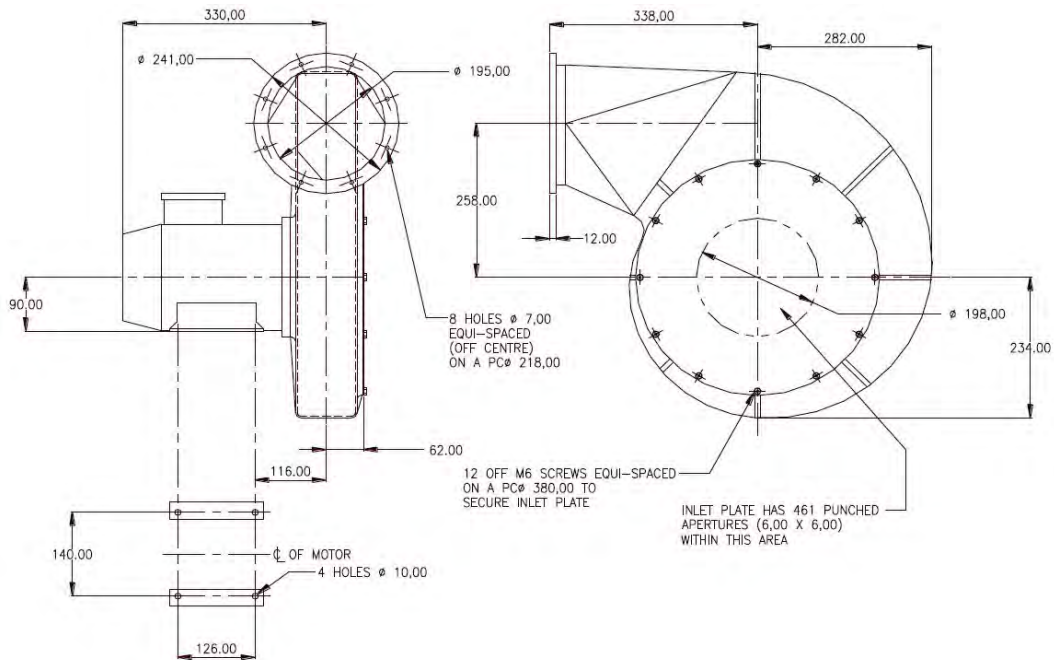
	643	643/SO
Motor	2.2 kW	2.2 kW
Weight	34 kg	34 kg
Phase	3	3
Noise Level	88 dB(A)	88 dB(A)
Voltage	400 V	400 V
Frequency	50 / 60 Hz	50 / 60 Hz
Run Current	4.6 A	4.6 A
Max Inlet Air*	40 °C	300 °C

*300°C Inlet Temperature Represents High Temperature variant.

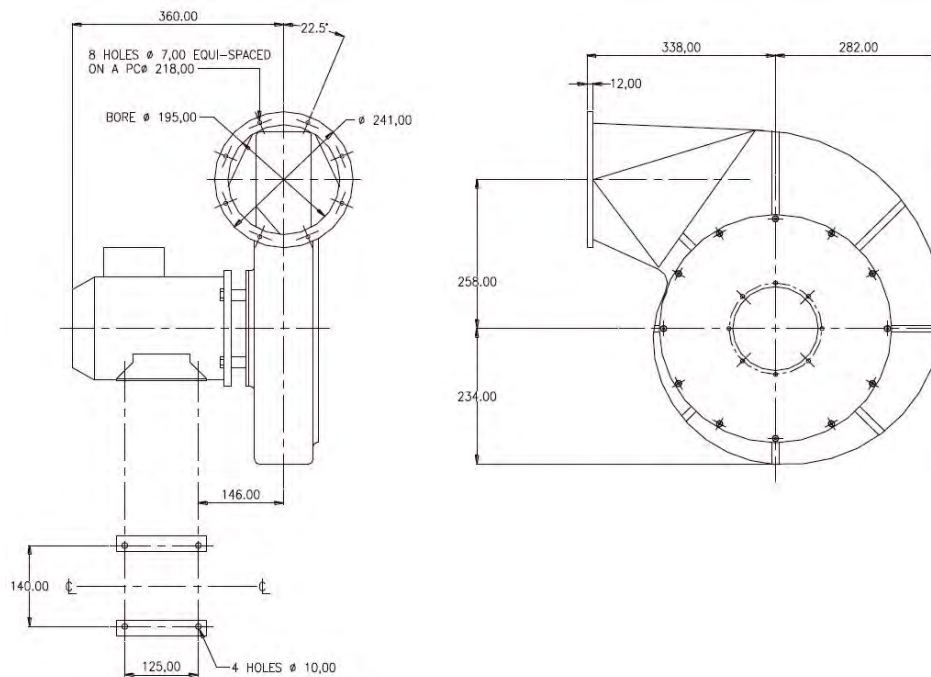
PERFORMANCE CURVE



TECHNICAL DRAWING: Model 643



TECHNICAL DRAWING: Model 643SO



All Dimensions In mm