

Process Air Heater Model HT648R

SECOMAK
air at work

Model HT648R Heater

The Model 648 Heater is a UL/CSA approved unit. It consists of a single element assembly mounted inside a stainless steel tube, making it ideal for mounting in vulnerable areas or in enclosures containing other equipment.

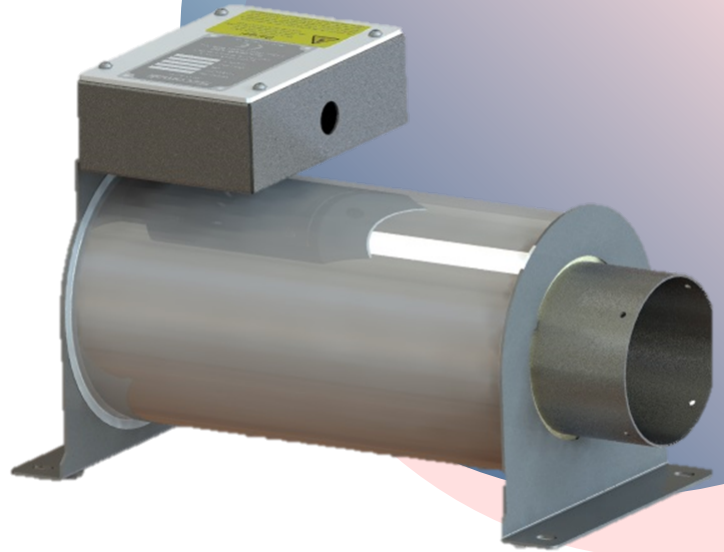
The inlet of the Model 648 is flanged and the outlet is either flanged or provided with a Duct/Hose adapter.

The Model 648 Heater will give an outlet temperature up to 300°C and is available in loadings from 6 to 24kW.

The inlet of the Model 648 can be fitted with thermal cut-out to protect the element in the event of the airflow becoming restricted. It is also designed to accept inlet air temperatures of up to 250°C.

A variety of temperature controls are available ranging from switching devices to provide fixed loadings through to systems to monitor and regulate the output temperature.

A range of adapters is available to couple the Model 648 with a variety of Secomak Fans.



Electrical:

415V or 380V 3 Phase

**Other Voltages available with
limited loading**

Maximum Outlet Temperature: 300°C

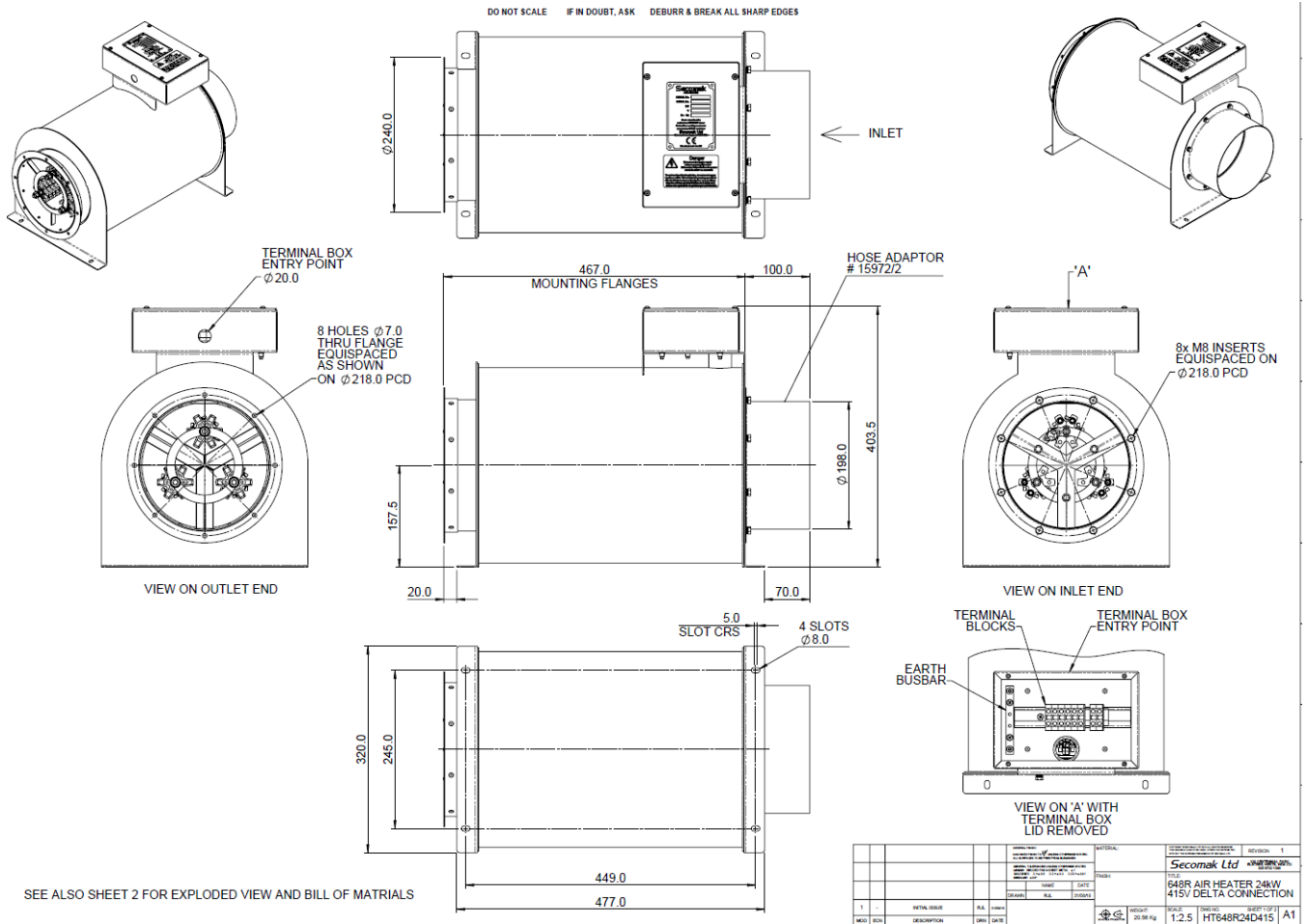
Resistance to Airflow (approx.)

0.22" w.g. at 200 ft³/min

3.50" w.g. at 800 ft³/min

10.80" w.g. at 1400 ft³/min

Technical Drawing : Model HT648R



WIRING DIAGRAM

All dimensions in mm