

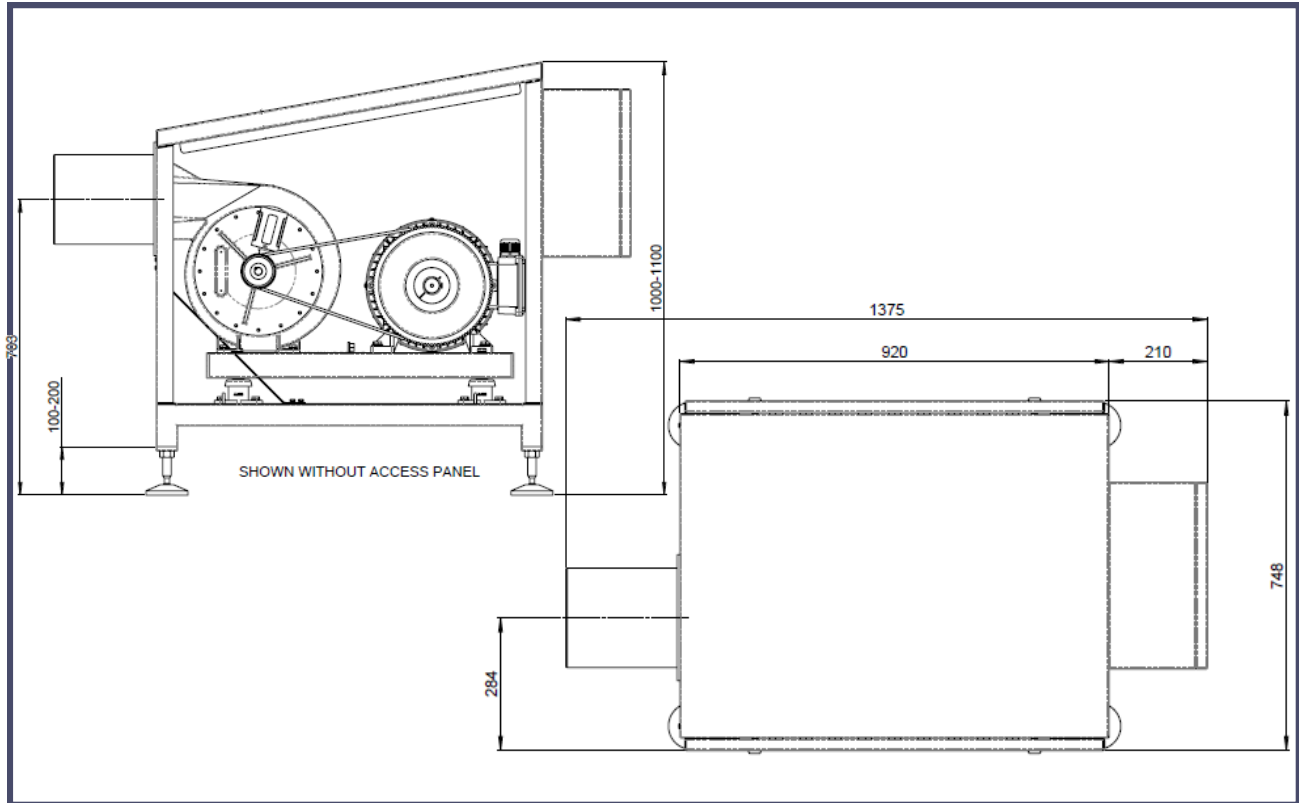


The **Secomak 587 Turbo Blower** has been specially developed to deliver maximum performance yet ensuring smooth air delivery across the whole of the performance curve. A conventional blower with a similar output to the 587 would be almost three times its physical size. Designed for continuous and virtually maintenance-free running, the Turbo Blower can operate in ambient temperatures up to 40°C.

Its simple belt arrangement and large impeller gives excellent reliability while its relatively low fan speed ensures longer life. All units come complete with a stainless steel enclosure to reduce noise levels to a minimum. An intake filter is available for clean air applications.

- High Volume Output
- Low Running Costs
- Excellent Reliability
- Long Life
- Low Noise
- Virtually Maintenance Free
- Compact

Technical drawing: Model 587 Turbo



Performance curve

