

High Velocity Centrifugal Fan Model 492

SECOMAK
air at work

Motor
4kW

Weight
58Kg

Phase
3

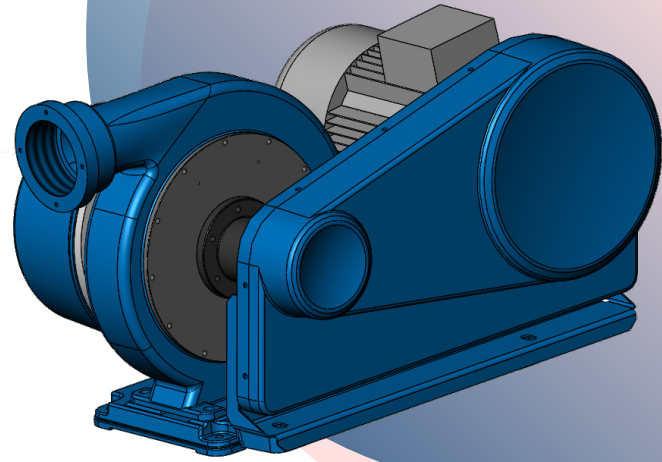
Noise Level
84dB(A)

Max Current
7.2A

Current readings are based upon voltages of 400V

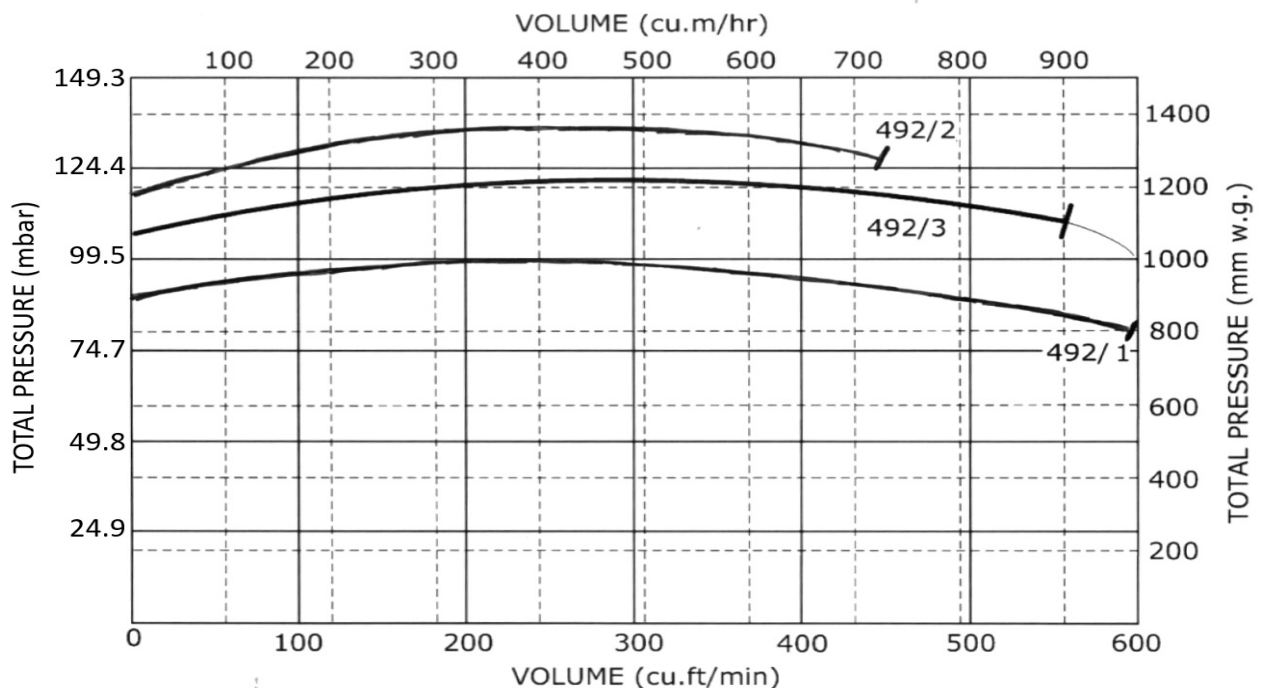
Noise levels have been measured at a distance of 1m from the blower, which was fitted with an inlet silencer and a ducted outlet. In some modes of use, the fans may generate higher noise levels. It will be necessary to carry out a noise survey after installation.

Picture depicts Model 492



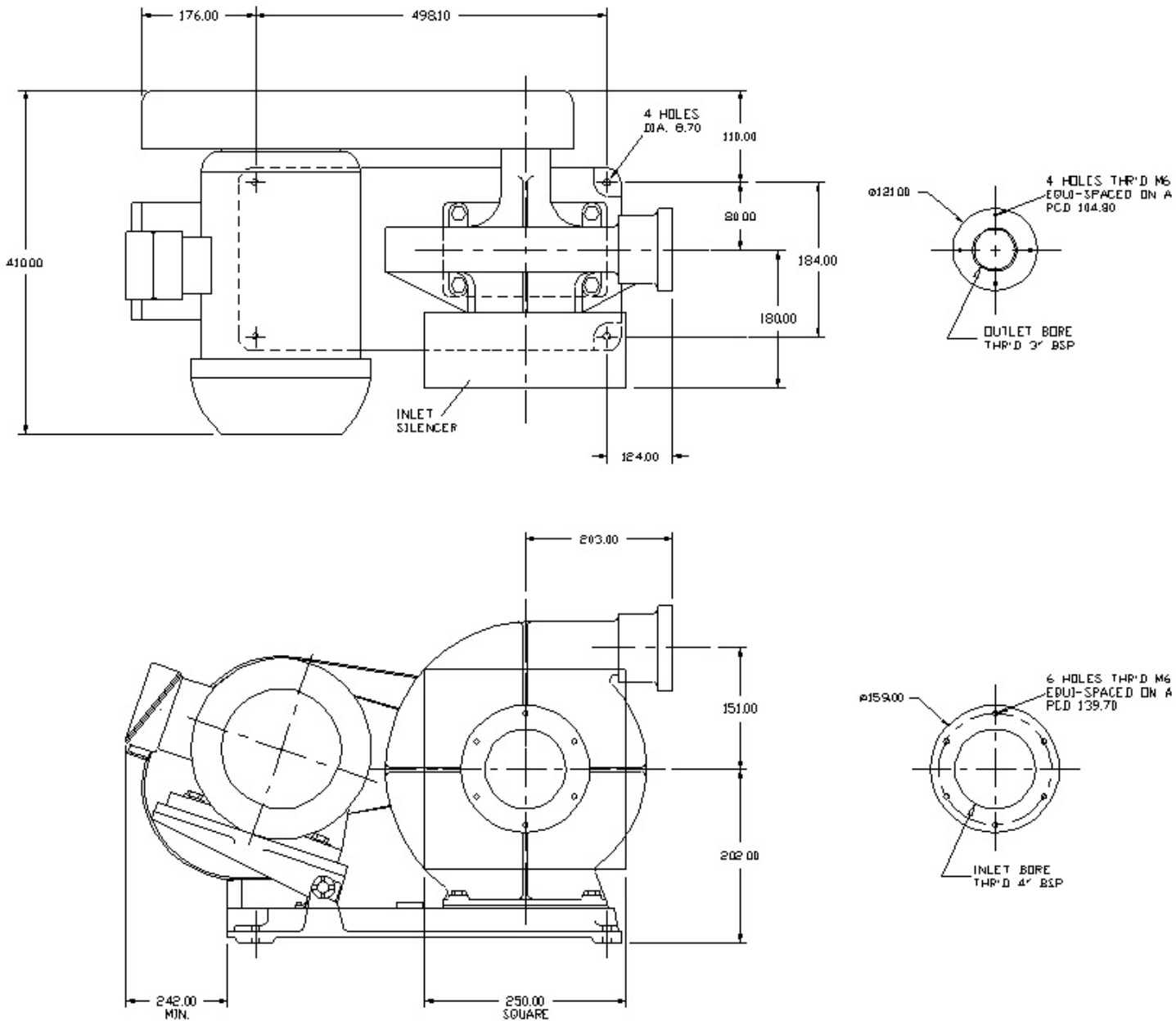
Actual product image may vary for different models

Performance Curve



High Velocity Fan Model 492

Technical Drawing : Model 492



All dimensions in mm