

Direct Drive Centrifugal Fan Model 669

SECOMAK

Part #: DD669415

**Motor
1.5kW**

**Weight
18.5kg**

**Phase
3**

**Max Inlet Temp
40°C**

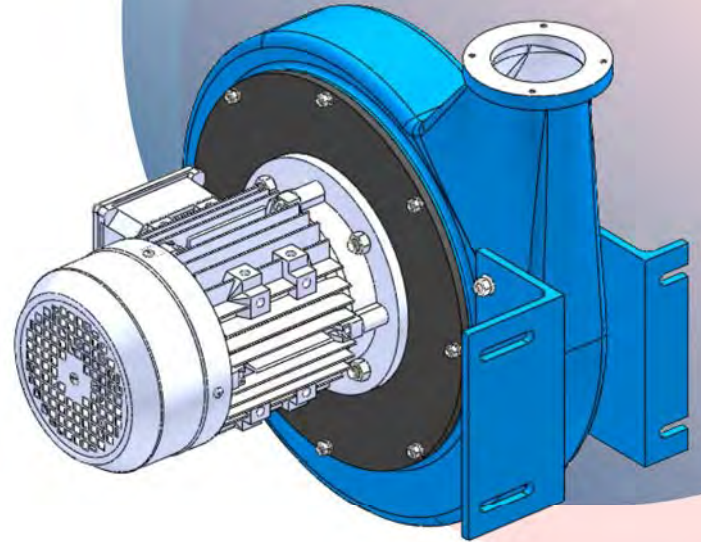
**Max Current
3.4A**

**Noise Level
71dB(A)**

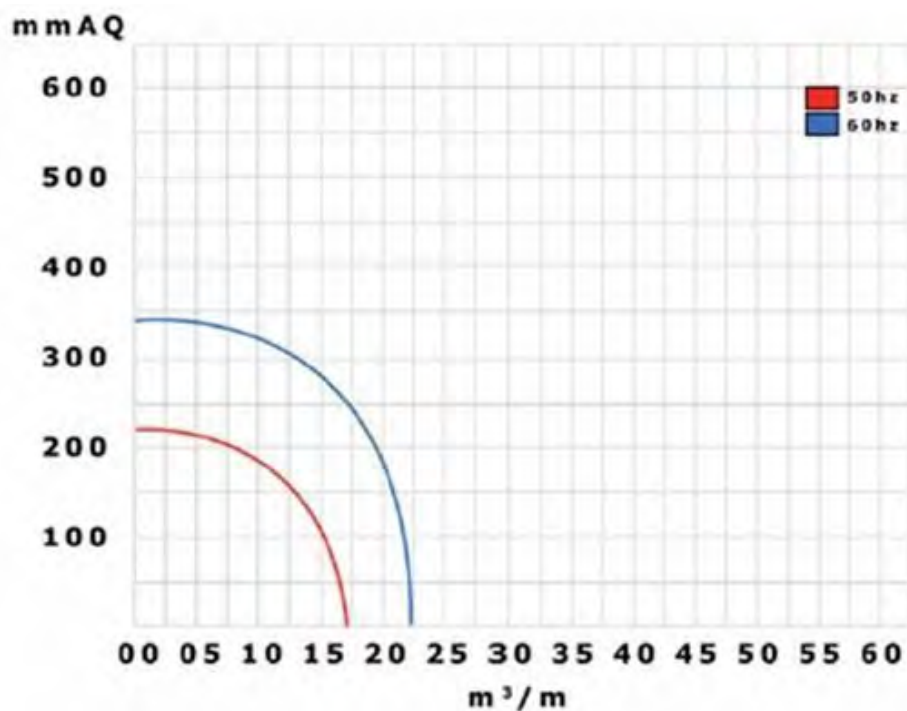
Current readings are based upon voltages of 400V

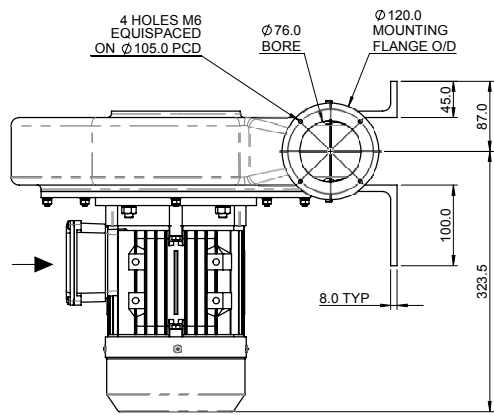
Noise levels have been measured at a distance of 1m from the blower, which was fitted a ducted outlet.

Picture depicts
Model 669

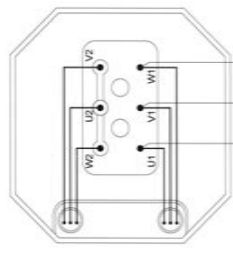


Performance Curve



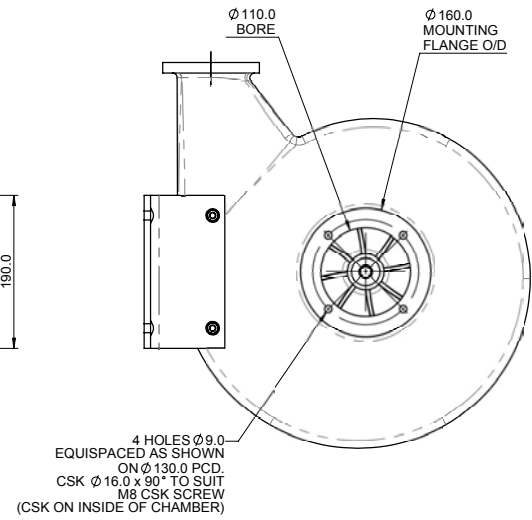
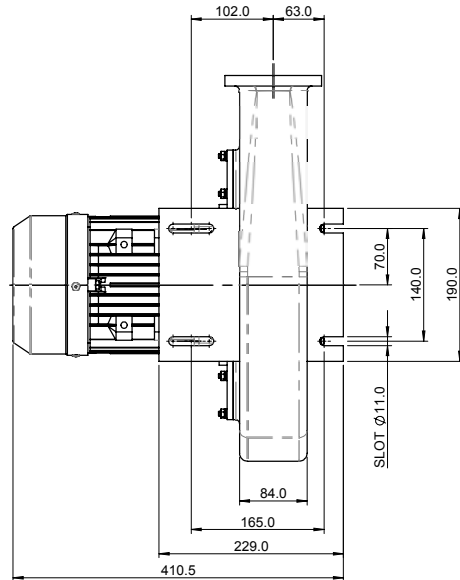
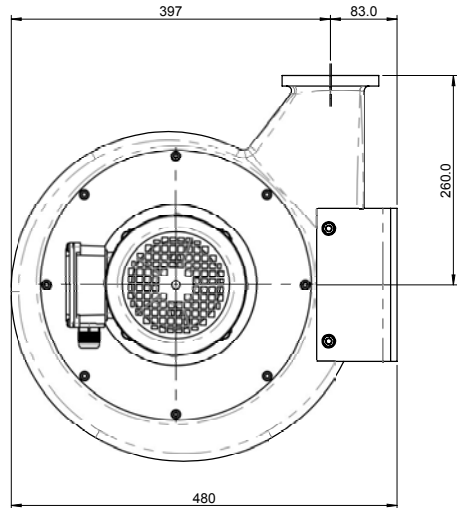
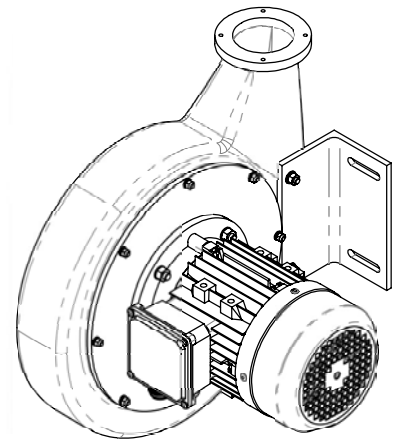


VIEW ON 'A' SHOWING MOTOR CONNECTIONS



CONNECTION
★
STAR

TIGHTENING TORQUE OF NUTS ON TERMINAL BLOCK = $2Nm \pm 0.5$
NUTS HOLDING TERMINAL BLOCK TO MOTOR TORQUE TO $3Nm \pm 0.5$



| ITEM NO. | PART NUMBER | DESCRIPTION | QTY. |
|----------|-------------|--|------|
| 1 | 16391 | FAN CHAMBER, MODEL 669 | 1 |
| 2 | SPN002646 | DD669 RH MOTOR MTG PLATE | 1 |
| 3 | SPN002648 | IMPELLER, MODEL 669, RH | 1 |
| 4 | SPN002650 | IMPELLER SPACER, FOR DD669-HP | 1 |
| 5 | SPN002651 | MOTOR SHAFT WASHER, FOR DD669-HP | 1 |
| 6 | SPN002652 | DD669 MOUNTING BRACKET | 1 |
| 7 | SPN002653 | DD669 MOUNTING BRACKET, SHORT | 1 |
| 8 | 19286 | MODEL 669 UL APPROVED MOTOR | 1 |
| 9 | 1025-0898 | NORD-LOCK WASHER, I/D 8MM - NL8SP | 1 |
| 10 | SRDSM6X30 | M6x30 SOCKET BUTTON HD SCREW - ST ST | 8 |
| 11 | WSPSSM6 | M6 SPRING WASHER ST ST | 8 |
| 12 | WFSSM6 | M6 FLAT WASHER ST ST | 8 |
| 13 | NHFSM6 | M6 NUT ST ST | 8 |
| 14 | SRDSM8X25 | M8X25 SOCKET BUTTON HD SCREW ST/ST | 4 |
| 15 | SHXSM8X25 | M8 x 25 HEX HD SCREW ST ST | 1 |
| 16 | WSPSSM8 | M8 SPRING WASHER ST ST | 4 |
| 17 | WFSSM8 | M8 FLAT WASHER ST ST | 4 |
| 18 | NHFSM8 | M8 NUT ST ST | 4 |
| 19 | SRDSM10X35 | M10 x 35 SOCKET BUTTON HD SCREW, ST/ST | 4 |
| 20 | WSPSSM10 | M10 SPRING WASHER ST ST | 4 |
| 21 | NHFSM10 | M10 HEX FULL NUT ST ST | 4 |

