

Direct Drive Centrifugal Fan Model 513HS (High Speed)

SECOMAK
a i r a t w o r k

Motor
1.5kW

Weight
24kg

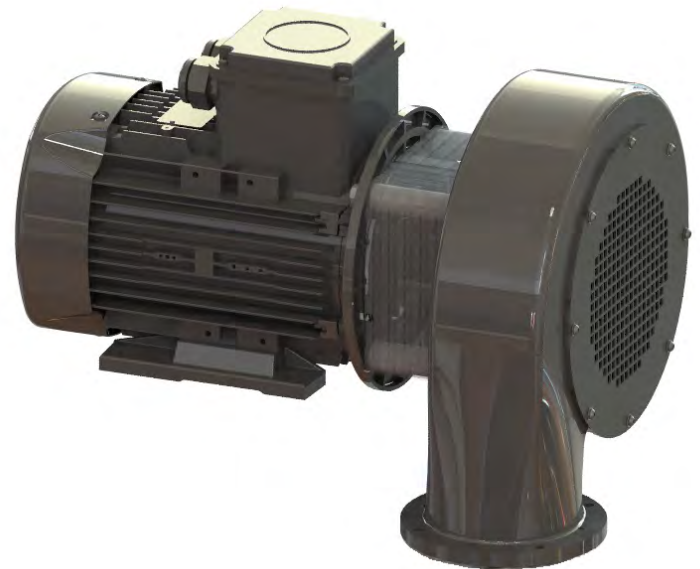
Phase
3

Max Inlet Temp
300 Deg C

Max Current
3.5A

Noise Level
73dB(A)

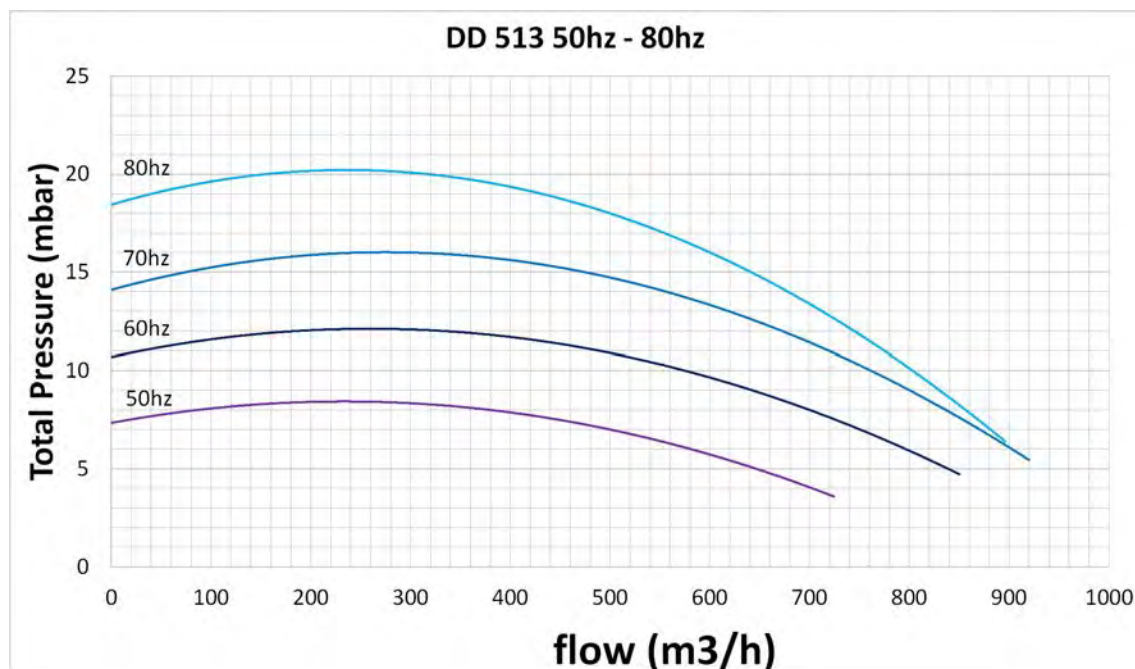
Picture depicts
Model 513HS



Noise levels have been measured at a distance of 1m from the blower, which was fitted a ducted outlet.

Actual product image may vary for different models

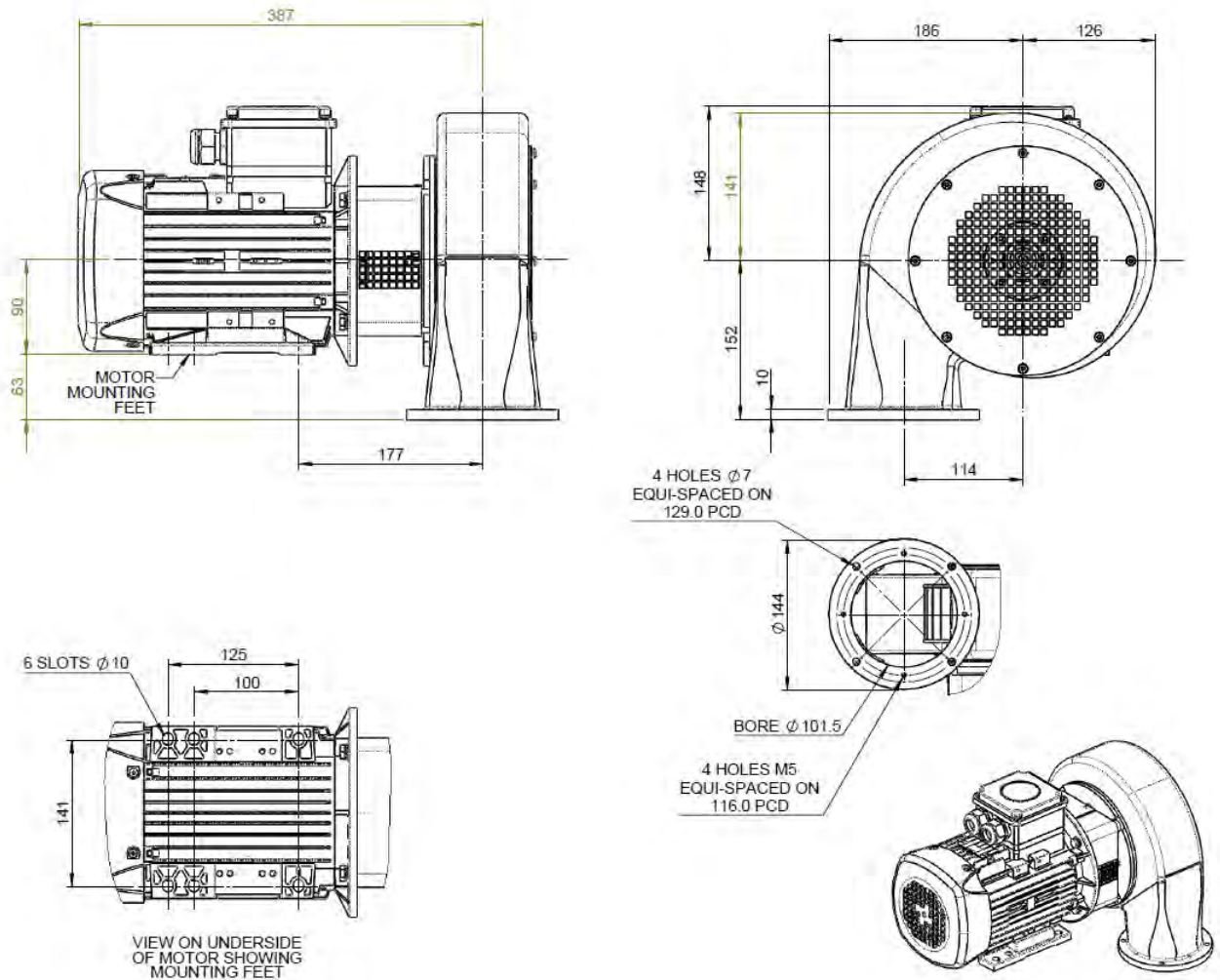
Performance Curve



Direct Drive Centrifugal Fan Model 513HS



Technical Drawing : Model 513HS



UL Certificate: PRGY2.E235514
cUL Certificate: PRGY8.E235514

All dimensions in mm