

Direct Drive Centrifugal Fan Model 643

Motor
2.2kW

Weight
34Kg

Phase
3

Max Inlet Temp
40 Deg C

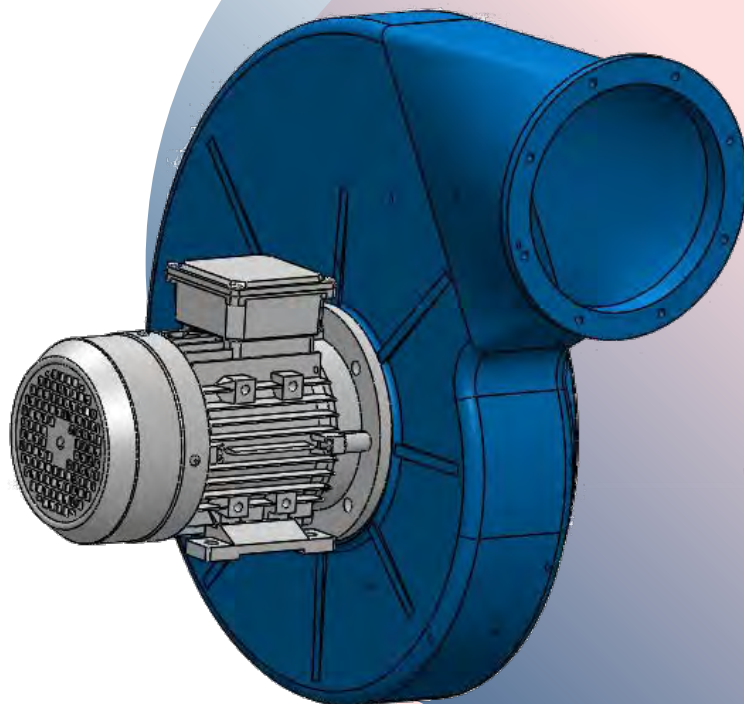
Max Current
3.4A

Noise Level
88dB(A)

Current readings are based upon voltages of 400V 3 Phase and 240V 1 Phase

Noise levels have been measured at a distance of 1m from the blower, which was fitted a ducted outlet.

Picture depicts Model 643



Actual product image may vary for different models

Performance Curve

