

High Velocity Centrifugal Fan Model 428

SECOMAK
air at work

Motor
1.5&2.2kW

Weight
32-36Kg

Phase
3

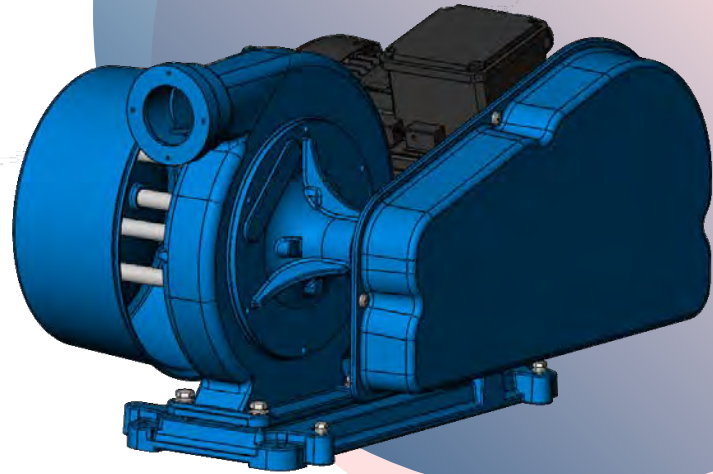
Noise Level
78-82dB(A)

Max Current
3.5&4.7A

Current readings are based upon voltages of 400V

Noise levels have been measured at a distance of 1m from the blower, which was fitted with an inlet silencer and a ducted outlet. In some modes of use, the fans may generate higher noise levels. It will be necessary to carry out a noise survey after installation.

Picture depicts Model 428



Actual product image may vary for different models

Performance Curve

